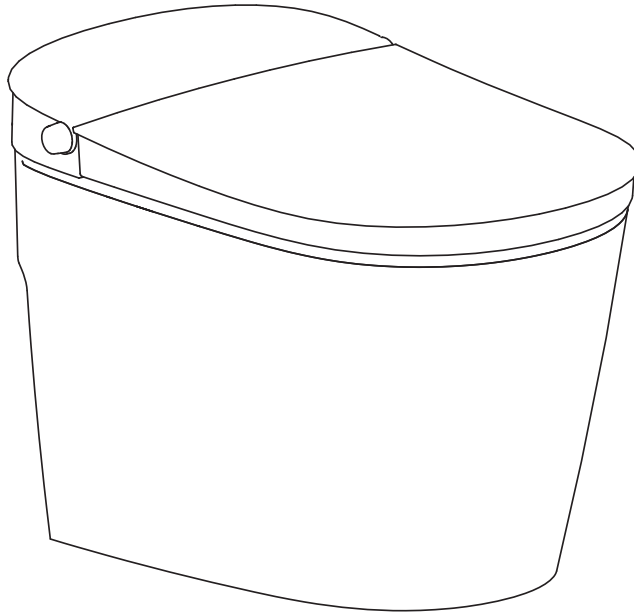


STUDIOLUX



MODEL: SLi1010

Installation instructions and manuals

Installation instructions for skilled technicians!

After installation, please hand over the installation instructions to the user.

IMPORTANT SAFEGUARDS

READ ALL INSTRUCTION BEFORE USING

When using the electronic product, especially in the presence of children, basic safety precautions should always be followed, including the following. Please read all instructions before use.



DANGER—Reduce the risk of electric shock

1. Do not use while bathing.
2. Do not place or store the product where it may fall or be dragged into a bathtub or sink.
3. Do not place in or drop into water or other liquid.
4. Do not touch the product if it falls into the water, and unplug the power supply immediately.



WARNING—Reduce the risk of burns, electric shock, fire or personal injury

1. Please keep a close watch when children or disabled persons are using or near the products in use.
2. This product is used only for the intended purpose described in this manual. Do not use accessories not recommended by the manufacturer.
3. Never operate this product if it has a damaged cord or plug or if it is not working properly, if it has been dropped or damaged, or dropped into water. Return the product to a service center for examination and repair.
4. Keep the power cord away from the heating surface.
5. Do not clog the vents of the product, or place the product on a soft surface, such as a bed or sofa, where the vents may be blocked. Keep the air unblocked and no cotton wool or hair, etc. in the pores.
6. Don't use products while sleeping or drowsy.
7. Do not put or insert any object into any opening or hose.
8. Do not use outdoors or operate where aerosol (spray) products are being used or when oxidated products are being administered.
9. Do not clean the product and power plug with water, it might cause electric shock or damage.
10. Do not disassemble, repair or modify the product, otherwise it might cause fire.
12. Do not stand or put heavy things on the seat, it might cause product damage.
11. Do not throw burning items like cigarette butts into the product, it might cause fire.
12. Do not open or close the cover or seat forcibly, and do not lean on the cover when the product in use, it might cause product damage.
13. Connect this product to a properly grounded outlet only. See Grounding Instructions.
14. This product must be plugged into a regular voltage Grounded GFCI outlet (North America 120V AC, 60Hz). The rated power consumption is 1000W.
15. Do not use extension cord. If you are not sure if the equipment is properly grounded, consult a licensed electrician.

FCC Warning statements in User Manual

This device complies with Part 15 of the FCC Rules. Operation is subject to the following two conditions: (1) this device may not cause harmful interference, and (2) this device must accept any interference received, including interference that may cause undesired operation.

Caution: The user is cautioned that changes or modifications not expressly approved by the party responsible for compliance could void the user's authority to operate the equipment and may void factory warranty.

Note: This equipment has been tested and found to comply with the limits for a Class B digital device, pursuant to part 15 of the FCC Rules. These limits are designed to provide reasonable protection against harmful interference in a residential installation. This equipment generates uses and can radiate radio frequency energy and, if not installed and used in accordance with the instructions, may cause harmful interference to radio communications. However, there is no guarantee that interference will not occur in a particular installation. If this equipment does cause harmful interference to radio or television reception, which can be determined by turning the equipment off and on, the user is encouraged to try to correct the interference by one or more of the following measures:

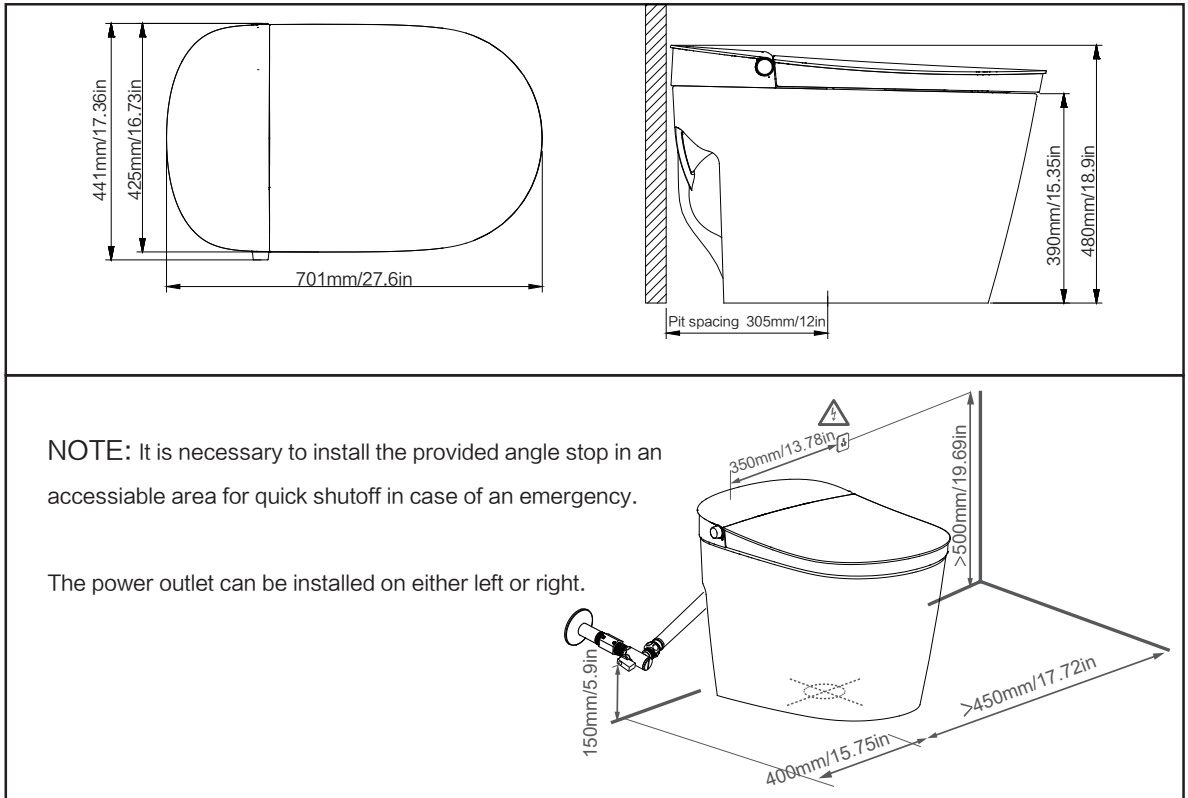
- Reorient or relocate the receiving antenna.
- Increase the separation between the equipment and receiver.
- Connect the equipment into an outlet on a circuit different from that to which the receiver is connected.
- Consult the dealer or an experienced radio/TV technician for help.

FCC Supplier' s Declaration of Conformity

Product name: TANKLESS TOILET
Model number: SLi1010
Suppliers Name: STUDIOLUX
Suppliers Address:US Office
30131 Town Center Dr
Suite 298
Suppliers Website:www.studioluxcorp.com

Suggestions on water supply connection

Technical drawings and power cord connections suggest



*This product is suitable for AC120V/60HZ power supply. In order to ensure safe use, the outlet and its connecting wires must be able to withstand more than 15A current.

Grounding instructions

This product should be grounded. In the case of an electrical short circuit, grounding reduces the risk of electric shock by providing an escape path for the current. This product is equipped with a power cord with a ground wire and a properly grounded plug. The plug must be plugged into a properly installed and grounded socket.

★ ★ ★ DANGER: Improper use of the grounding plug may result in electric shock

If the power cord or plug needs to be repaired or replaced, do not connect the ground wire to any of the flat pins. The conductor with green or yellow green stripe on the outer insulation surface is grounding wire.

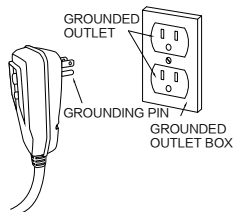
If you do not fully understand the grounding instructions or if you have questions about whether the product is properly grounded, please consult a qualified electrician or maintenance personnel.

This product is for use on a normal 120 V circuit, and has a grounding plug that looks like the plug illustrated in sketch A .in Figure 1. A temporary adapter, which looks like the adapter illustrated in sketches B and C, may be used to connect this plug to a 2–pole receptacle as shown in sketch B. if a properly grounded outlet is not available. The temporary adapter should be plugged into a properly grounded outlet (sketch A) and should be installed by a licensed electrician. The green colored rigid tab extending from the adapter must be connected to a permanent ground such as a properly grounded outlet box cover. Whenever the adapter is used, it must be held in place by the screw.

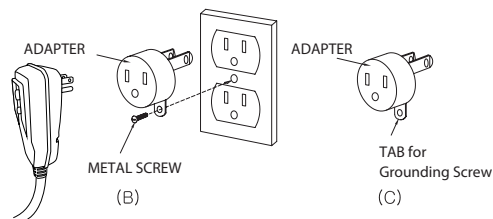
The product is factory–equipped with a specific power cord and plug that allow connection to the appropriate circuit. Make sure the product is connected to the same socket as the plug configuration. This product should not use adapters. Do not modify the supplied plug, if it is not suitable for the socket, please install the appropriate socket by a qualified electrician. If the product must be reconnected using different types of circuits, it should be reconnected by qualified maintenance personnel.

If an extension cord is required, only use a 3–core extension cord with a 3–core grounding plug and a 3–slot socket that accepts the plug on the product. The damaged wires must be replaced or repaired.

Preferred Connection







Temporary Connection



Precautions before use

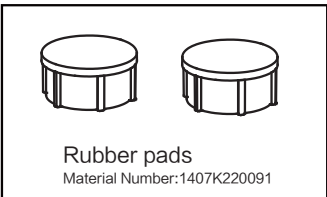
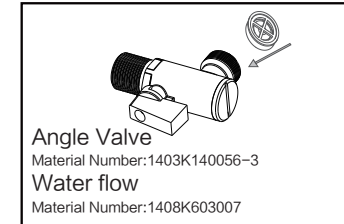
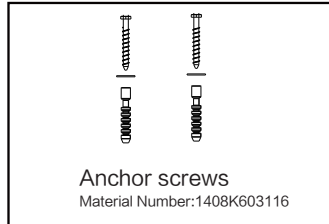
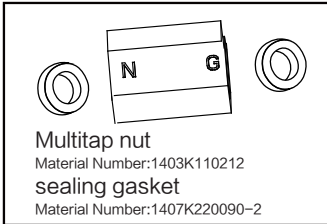
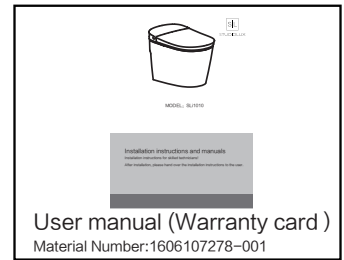
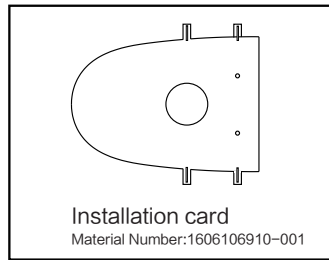
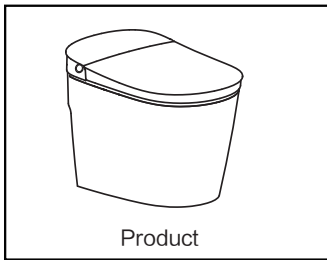
In order to avoid personal injury and property damage to users and other people, please read the following safety precautions carefully and strictly observe them. After reading, please keep this manual in a drawer where you can access easily.

 PROHIBITED	<ul style="list-style-type: none"> ☆ It is strictly forbidden to disassemble, repair or transform the product by yourself, otherwise it may cause fire or electric shock. ☆ It is strictly forbidden to use this product when the seat and upper cover are not fully opened or closed. ☆ It is strictly forbidden to pour water, detergent, urine or other liquid on and around the surface, otherwise it may cause fire or electric shock.
 NOTICE	<ul style="list-style-type: none"> ☆ Do not operate products that have fallen into the water or soaked in water. ☆ Please do not connect the inlet water line with the outlet water line of the water heater. The inlet water temperature should be 3°C – 35°C. ☆ Do not let the sunlight directly irradiate the product, in order to avoid the product discoloration or the burn due to the temperature instability. ☆ Do not use industrial water, waste water, sea water, reclaimed water and other water sources, otherwise it may cause skin inflammation and other diseases. ☆ The product must be connected to a separate circuit. No other electrical product shares the circuit with this product. Sharing a circuit can cause a fuse to blow out or a circuit breaker to trip. Continuous use in such cases may result in fire or property damage. ☆ This product is for household use only. ☆ Do not use banana oil, gasoline, liquid medicine and detergent, insecticide and hard brush to clean this product. Toilet cleaner may only be used for ceramic body. ☆ Do not use this product in rooms with humidity more than 90% RH, the use environment should have a dry and wet separation, such as installing shower room or shower curtain. ☆ in cold winter, if do not use the product for a long time, please discharge the tank water following the instructions. Or it might cause product damage. ☆ For the newly decorated house, the residual mud and sand in the pipeline are easy to damage the machine and affect human health. Please remove the sewage from the pipeline before installation.

 <p>NOTICE</p>	<ul style="list-style-type: none"> ☆ Do not use banana oil, gasoline, liquid medicine and detergent, insecticide and hard brush to clean this product. Toilet cleaner may only be used for ceramic body. ☆ Do not use this product in rooms with humidity more than 90% RH, the use environment should have a dry and wet separation, such as installing shower room or shower curtain. ☆ For the newly decorated house, the residual mud and sand in the pipeline are easy to damage the machine and affect human health. Please remove the sewage from the pipeline before installation. ☆ Do not stand on the seat, toilet cover, do not place heavy objects, and do not press or lean on the toilet cover, so as not to damage the product. ☆ Please set the temperature of water and seat on 'low' when the old, weak, sick and disabled or children use the product, and touch the sensor when you sit on the seat properly. ☆ Pull out the power plug before cleaning, do not wet the product directly. ☆ This appliance is provided with a protective device that may make the appliance inoperable under some abnormal conditions (such as immersion of the appliance). If the appliance becomes inoperable, contact the STUDIOLUX service team.
 <p>MUST ABIDE BY</p>	<ul style="list-style-type: none"> ☆ Do not let children play with this product. ☆ Do not supply water or power to the product before installation completed. ☆ If it is not used for a long time, please unplug the plug and empty the water in the product. ☆ When installing, disassembling, repairing and maintaining the product, the power plug must be pulled off and the water supply valve must be closed. ☆ This product uses AC 120V/ 60Hz power supply; in order to ensure safe use, the socket and its connecting wires must be able to withstand more than 15A current. ☆ After the appliance is scrapped, please hand it over to a qualified professional recycling company or organization for disposal. It should not be discarded at will, so as to avoid harm to the environment. ☆ The plug should be installed in place, and the plug pin cannot be exposed to air. ☆ Product installation and use should be away from heat and fire sources

SAVE THESE INSTRUCTIONS

1. List of materials



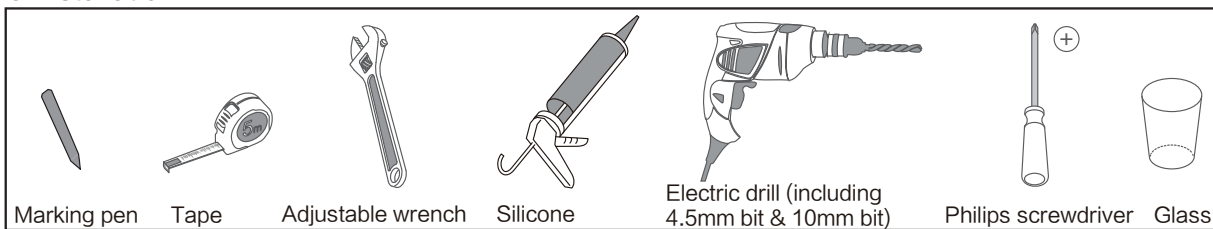
2. Technical specifications

PIC for reference only

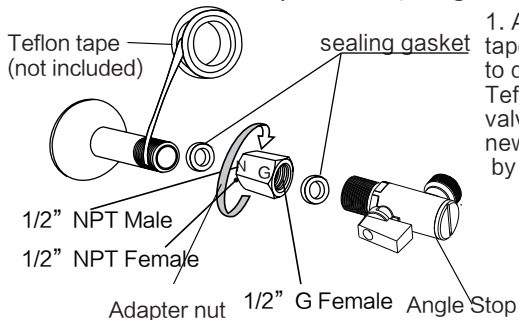
Seat and Cover	Soft close	●	Seat heater power	60W
	Seat sensor	●	Seat temp.	Room temp.~41℃
Flush	Dual flush	●	Water proof rate	IPX4
	Auto flush	●	Ambient temp	0℃~40℃
	Seat temp	●	Pressure of Water supply	30psi(Dynamic pressure)~80psi(Static pressure)
	Rated voltage	120V~	Flow of Water supply	≥25L/min
	Rated frequency	60Hz	Temp of Water supply	3℃~35℃
	Rated power	60W	Product size	701X441 (425) X480mm

Note: Rated power is the average power that under the conditions of ambient temperature of 23℃ ± 2℃.

3. Installation

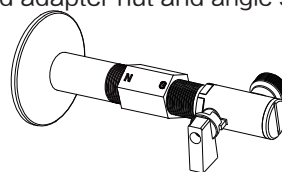


3.1 Install the Adapter Nut, Angle Stop



1. After external thread of water outlet pipe is wrapped with Teflon tape, adapter nut need install sealing gasket ,tighten the adapter nut to direction N, then after external thread of angle stop is wrapped with Teflon tape, and tighten the connecting nut to direction G. If the angle valve has been installed on the wall, to ensure proper installation of new angle stop, the angle valve shall be replaced with the angle stop by professional personnel.

Installed adapter nut and angle stop



3.2 Install Toilet and Toilet Wax Ring(For Option B installation, please see template.)

A

Install the floor drain cover connector(not included) .

B

Position correctly the two fixing bolts of the floor drain.

C

Insert the wax ring(not included) under the toilet.

D

Position the toilet on the floor drain,making sure the fixing bolts are aligned with the toilet's holes.

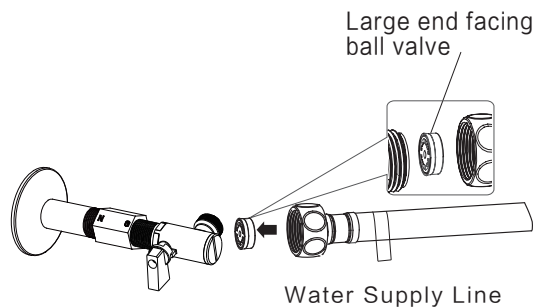
Holding manner:

Firstly, open the cover and seat; as the toilet is heavy, lifting the product by two persons at the same time is needed.

3.3 Install the Water Supply Hose

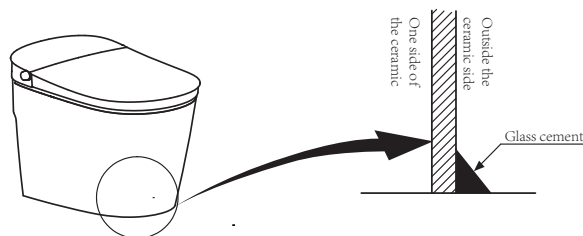
As shown in the figure, install water supply line to Angle stop.

- 1) If the water inlet pressure is greater than 30psi, please install the flow limiting plate in the angle stop;
- 2) Only use the accessory parts that are shipped with the product for installation;
- 3) After installation, turn on the power supply and check water seal. Water leakage shall be avoided.
- 4) When turning on water supply (gray tab) turn on gray tab only half way up NOT too max and check flush, if too weak gradually increase gray tab, if too strong lower pressure by turning gray tab down.






3.4 Tips for comfortable use



Spots are easily found at the lower part of the product after long time of water or urine penetration. To avoid this, silicone is recommended to paste around the lower part to seal the tiny gap between the lower part and the ground.



4. Product function

1. Knob function

1. Short press  button 1s to start ECO flush function. Long press for about 3s to switch the heated seat on/off (Tips: Heated seat on/off would take effect immediately when you on seat to long press the  button for 3s. When seat vacancy, hold the  button for 3s and release within 10s to effect heated seat on/off function. When heated seat is off, the side indicator is blue. When heated seat is on, the side indicator is red.

) Rotating  counterclockwise to turn on nightlight, rotating  clockwise to turn off nightlight.

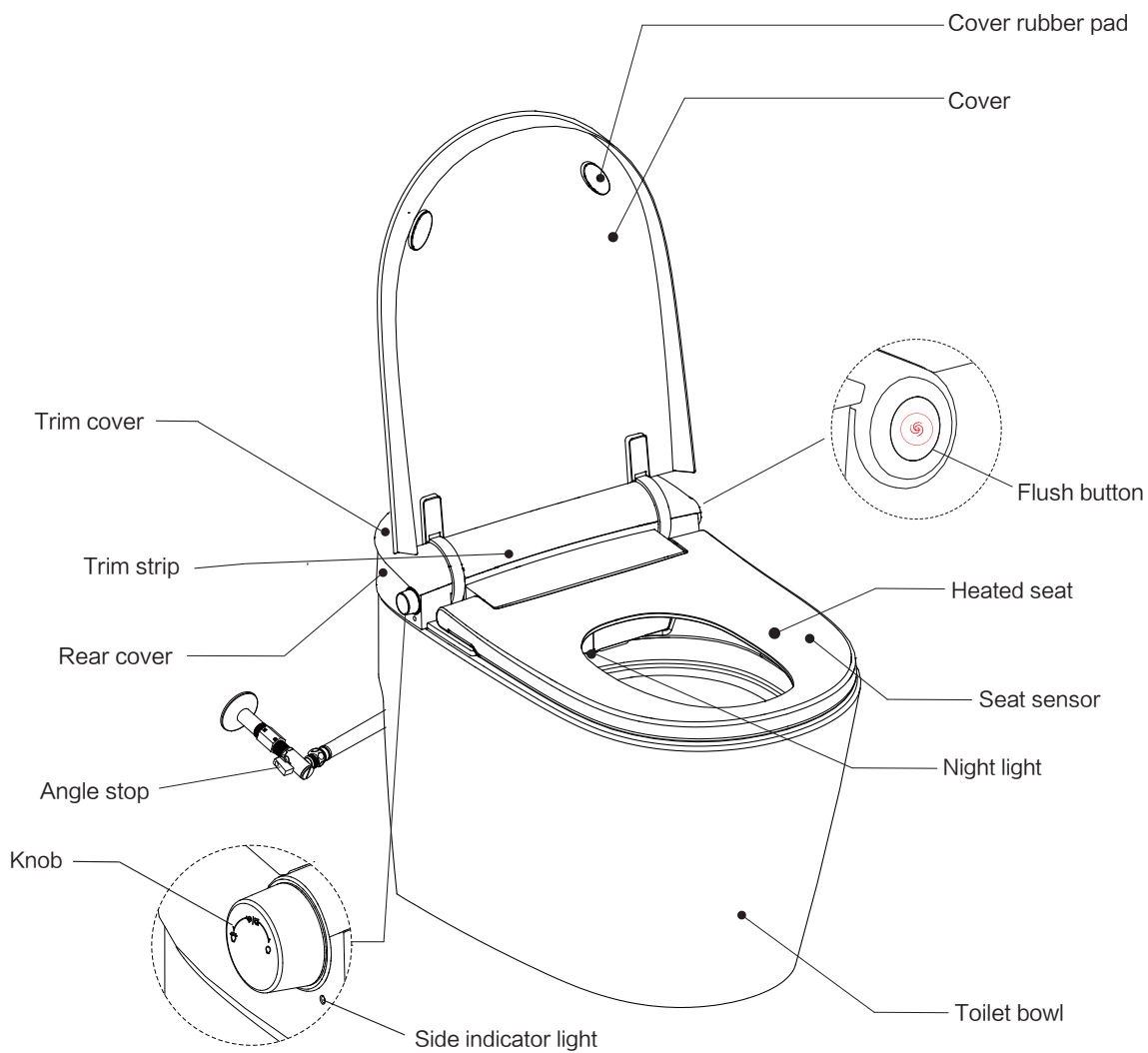
2. Button operations

Press  (about 1s) and release side button to full flush.

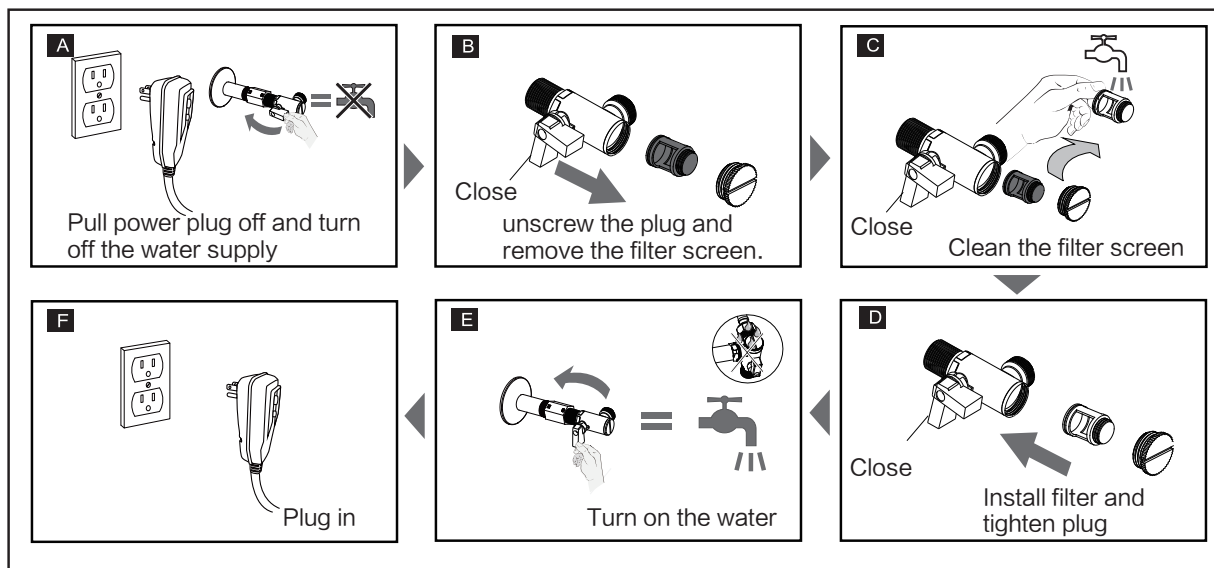
3. Standby function

In the off-seat state, long press the knob for more than 10s to enter the standby mode. Press any button or sitting to exit standby mode.

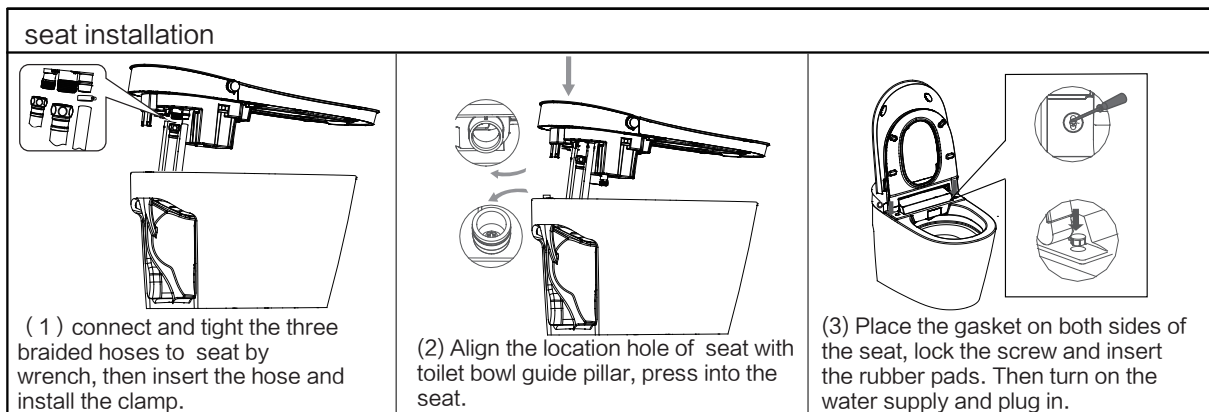
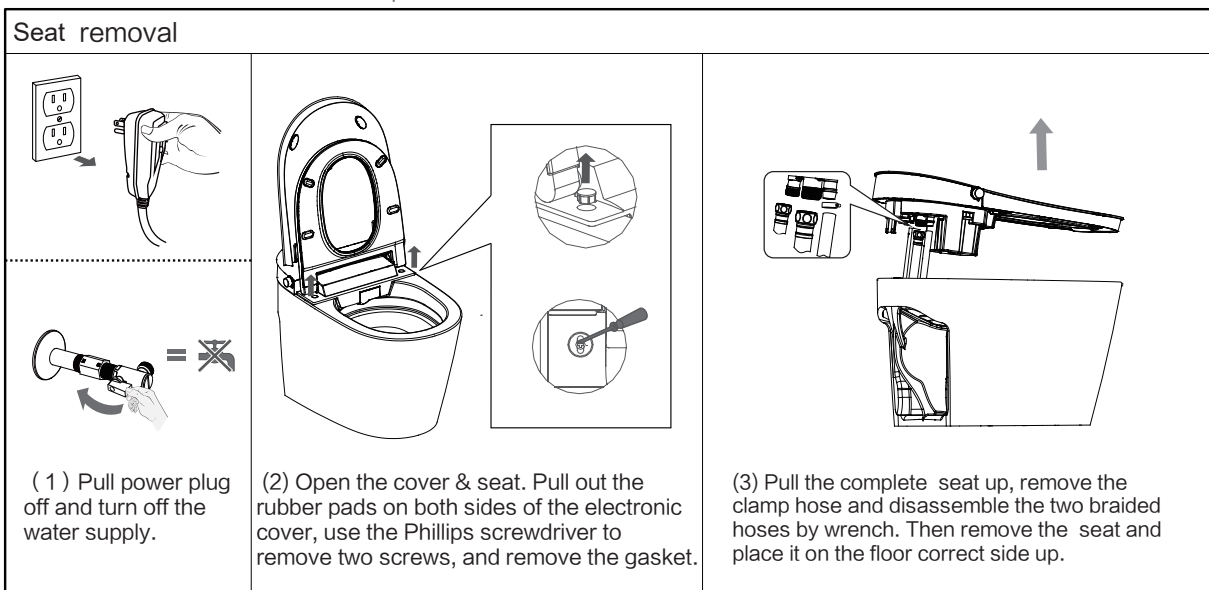
5.Part identification



6. cleansing filter screen

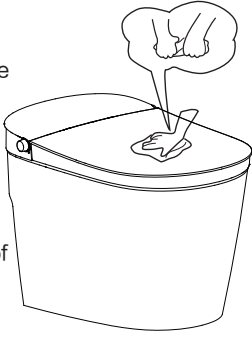
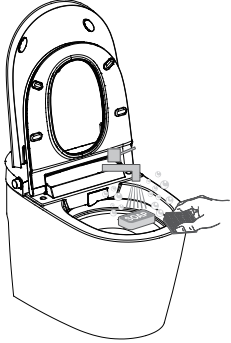


7. Removal and installation of Seat



8. Cleaning and maintenance

<p>Cleaning the Cover & Seat: Turn off the water supply. Use a soft and wet cloth to clean the product (Wring out a cloth)</p> <p>Notices: Do not use dry cloth or toilet paper to clean the product or the appearance of product will be scratched. Avoid putting water into the inside of back cover, otherwise some electronic components in the back cover might be damaged.</p>	<p>Cleaning the toilet bowl: Notices: Clean the toilet bowl with cleaner and flush the cleaner within 3 minutes.</p>
--	--

9. Troubleshooting

Frequently asked questions. (FAQ)
 Please read the following questions carefully, and refer to the instructions. If the product still does not work contact your local sales dealer or contact the manufacturer.

Tips:
 If there is water leakage, immediately turn off the water supply and pull the power plug.
 The following reasons may cause product's malfunction.

1. Check the power supply
 - (1) Is power supply working properly?
 - (2) Is the Plug plugged in?
 - (3) Is electricity-leakage protection switch off?
2. Check the water supply
 - (1) Is water supply working properly?
 - (2) Is the Water Supply off?
 - (3) Is the PSI lower than 30?

Once any of the following issue occur, please cut the power off immediately. Refer to the affected section in this manual. Please contact the manufacturer for more assistance if necessary.

1. Power leakage protection switch on power plug trips frequently.

Issue		Cause	Solution
Water splash in back of toilet	During flush water splashes in back of toilet.	To high water pressure on gray tab on angle stop	Turn down water pressure on Gray tab on angle stop, if set at max lower gray tab half way to reduce pressure and adjust as needed.



Warranty card

Product model	
Manufacturing number	
Customer name	
Tel	
Add	
Sales company	
Tel	
Date of purchase	

The 2nd copy send back



Maintenance record

Date of maintain	Maintenance items	Maintenance company	Maintenance personnel signature

There may be differences between the contents of this manual and the real object. Please refer to the real object. If the products and attachments have any update, we will not notice.

1606107278-001 1.0

Type of Flush valve:FCS-6-KM-3

US Office
30131 Town Center Dr
Suite 298
Laguna Niguel, CA 92677
949-900-4353
support@studioluxcorp.com
www.studioluxcorp.com